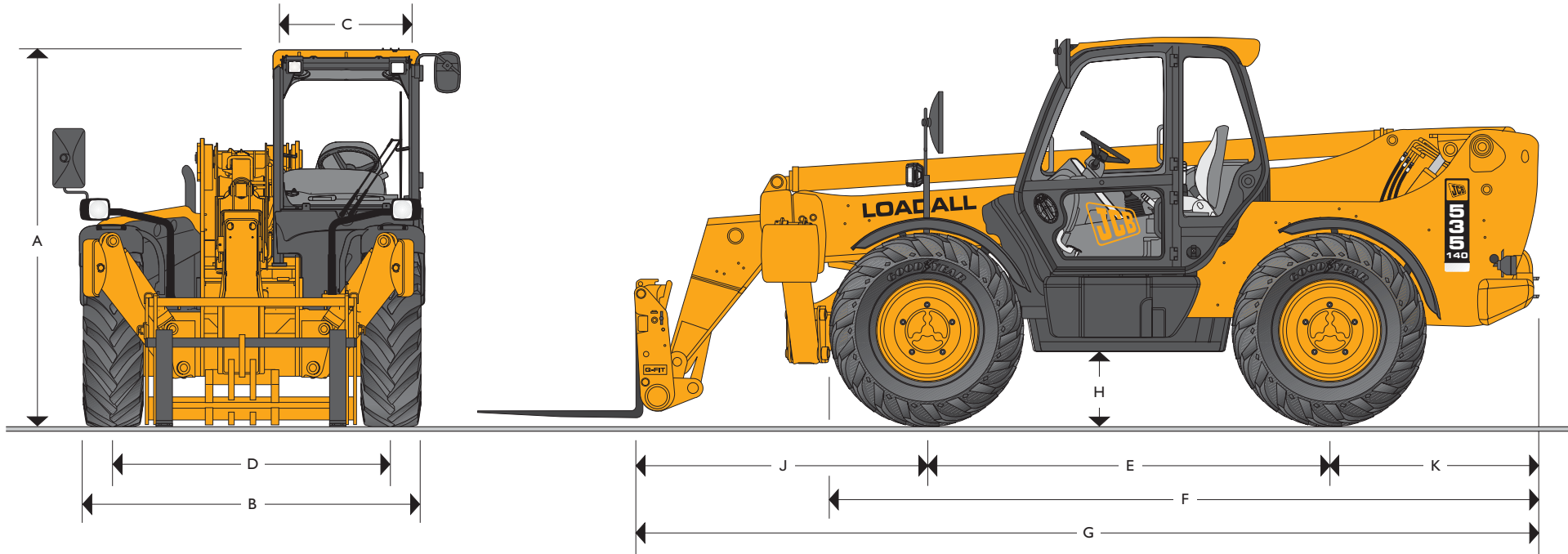




JCB LOADALL | 535-140



MAX. PAYLOAD: 3.5 tonnes (7000lb)
 MAX. LIFT HEIGHT: 13.8 metres (45ft 3in)



STATIC DIMENSIONS

Machine model	535-140
	m (ft-in)
A Overall height	2.59 (8-6)
B Overall width (over tyres)*	2.35 (7-9)
C Inside width of cab	0.94 (3-3)
D Front track	1.90 (6-3)
E Wheelbase	2.75 (9-0)
F Overall length to front tyres	4.83 (15-10)
G Overall length to front carriage	6.18 (20-3)
H Ground clearance	0.40 (1-4)

Machine model	535-140
	m (ft-in)
J Front wheel centre to carriage	2.00 (6-6)
K Rear wheel centre to rear face	1.43 (4-7)
Overall width with stabilisers fully deployed	2.56 (8-4)
Outside turn radius (over tyres)	4.0 (13-2)
Bucket roll back angle	degrees 41.2
Bucket dump angle	degrees 9.3
Weight	kg (lb) 10650 (23478)
Tyres	15.5/80-24

*Dependant upon tyre specified.