

ELECTRIC ARTICULATED BOOM LIFT

A38E

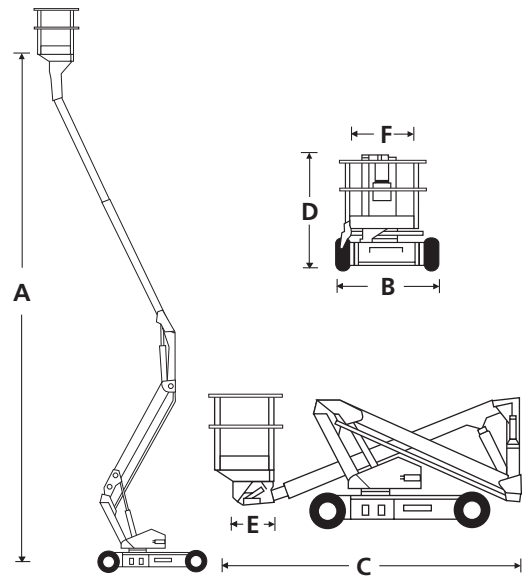
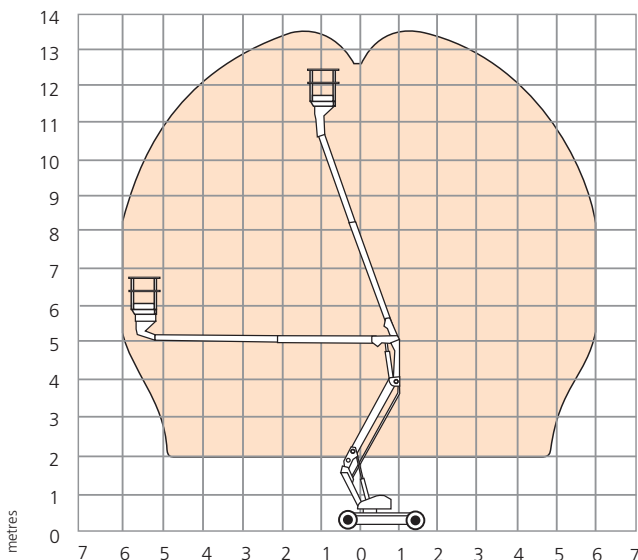
| DIMENSIONS | A38E |
|-----------------------------------|---------------|
| Max. working height | 13.5m |
| Max. platform height (A) | 11.5m |
| Max. working outreach | 5.9m |
| Clearance height at max. outreach | 5.4m |
| Platform size (E x F) | 0.71m x 1.24m |
| Overall width (B) | 1.49m |
| Overall length (C) | 4.1m |
| Stowed height (D) | 2.0m |
| Ground clearance | 120mm |

| PERFORMANCE | |
|----------------------------------|------------------------------|
| Platform capacity (SWL) | 215kg |
| Max. drive height | 11.5m |
| Max. wind speed | 12.5m/s |
| Max. drive speed (stowed) | 4.0km/h |
| Max. drive speed (elevated) | 0.65km/h |
| Platform rotation | 90° (+45°/-45°) |
| Turret rotation (non-continuous) | 360° |
| Tailswing (riser boom elevated) | 0m |
| Tailswing (riser boom stowed) | 1.4m |
| Raise/lower time | 83/68 sec |
| Gradeability | 36% |
| Inside turning radius | 1.12m |
| Outside turning radius | 2.4m |
| Tyres | 22 x 9 16 non-marking rubber |
| Controls | proportional controls |
| Drive system | direct drive DC |

| POWER | |
|--------------|-------------------------|
| Power source | 8 x 6V, 220Ah batteries |

| WEIGHT | |
|--------|---------|
| Weight | 3,795kg |

WORKING ENVELOPE



STANDARD FEATURES

- Snorkel Guard™ secondary guarding system
- Proportional one-handed controls
- Hydraulic platform rotation
- Minimal front boom overhang
- Ultra-tight inside turning radius
- Power line to platform
- Tilt alarm and cut-out
- 2 person + equipment capacity indoor
- 1 person + equipment capacity outdoor
- Direct DC drive parallel wired wheel motors
- Non-marking tyres
- Duplicate boom controls at ground level
- Hour meter & on-board diagnostics display
- 2 year parts & labour, 5 year structural warranty
- CE approved

OPTIONS

- Special paint colours
- Flashing amber light
- Environmental hydraulic oil
- Upper control panel cover

snorkel www.snorkellifts.com

Vigo Centre, Birtley Road,
Washington, Tyne & Wear,
NE38 9DA, U.K.

t: +44 (0) 845 1550 057

e: sales@snorkellifts.com