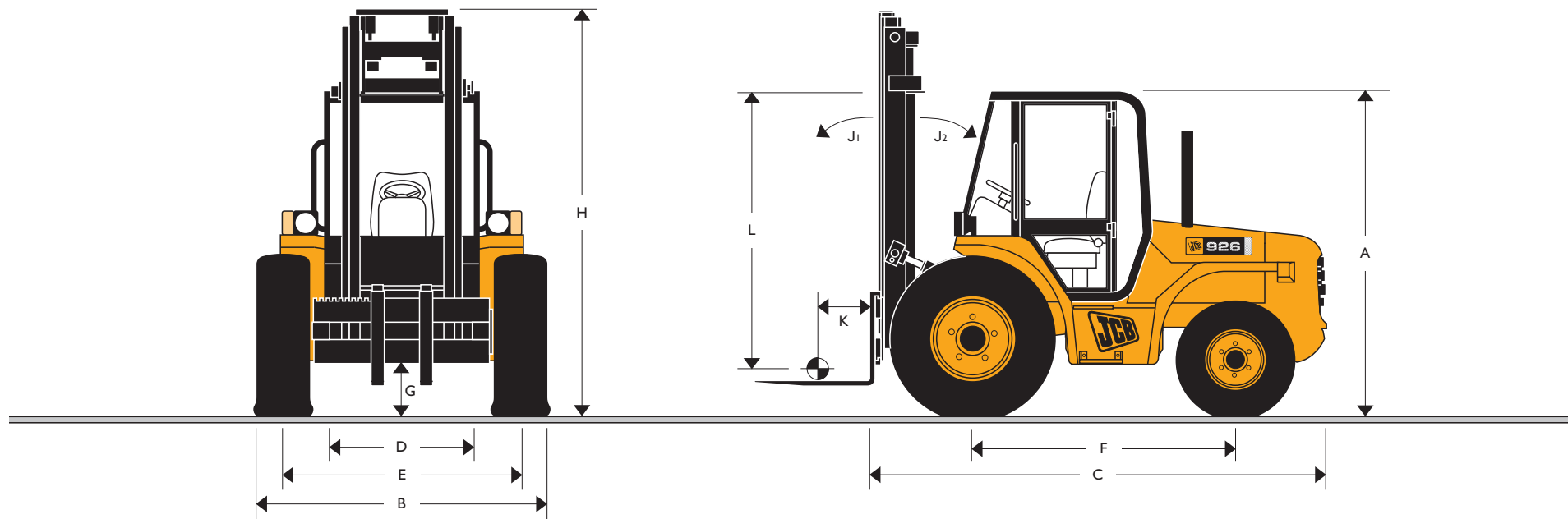




OPERATING WEIGHTS: 5910 to 6340 kg (13029 to 13977lb) LIFT CAPACITY: 2.6 to 3.0 tonnes (5732 to 6613lb)



### DIMENSIONS

Machine model	926 m (ft-in)	930 m (ft-in)
A Overall cab height	2.57 (8-5)	2.57 (8-5)
B Overall width (over tyres)	2.20 (7-2½)	2.20 (7-2½)
C Overall length to front carriage (industrial or bar)	3.60 (11-10)	3.60 (11-10)
D Inside width of cab	1.16 (3-9½)	1.16 (3-9½)
E Front track	1.80 (5-11)	1.80 (5-11)
F Wheel base	2.13 (7-0)	2.13 (7-0)
G Ground clearance	0.37 (1-2½)	0.37 (1-2½)
H Mast closed height		
3.6m mast	2.95 (9-8)	2.95 (9-8)
4.5m mast	2.41 (7-10)	2.41 (7-10)

Machine model	926	930
5.5m mast	2.95 (9-8)	2.95 (9-8)
6.55m mast	3.32 (10-11)	3.32 (10-11)
Mast open height		
3.6m mast	4.78 (15-8)	4.78 (15-8)
4.5m mast	5.41 (17-9)	5.41 (17-9)
5.5m mast	6.61 (21-8)	6.61 (21-8)
6.55m mast	7.67 (25-2)	7.67 (25-2)
J <sub>1</sub> Mast tilt forwards	18°	18°
J <sub>2</sub> Mast tilt backwards	10°	10°
K Load centre	0.50 (1-8)	0.50 (1-8)
L Free lift (4.5m mast only)	1.46 (4-9½)	1.46 (4-9½)

The above data based on the following specification: Standard fork size 1067 x 100 x 50 mm (42 x 4 x 2 in)