

8,000 to 12,000 lbs. 3,628 to 5,443 kg. • Specifications

Models		7FBCU35	30-7FBCU35 (UL"EE")	7FBCU45	30-7FBCU45 (UL"EE")	7FBCU55	30-7FBCU55 (UL"EE")
Load Capacity (with 24-in. load center)	lb <i>kg</i>	8000 3628	8000 3628	10000 4535	10000 4535	12000 5443	12000 5443
Brakes		Service (Foot) brake - Hydraulic		Parking brake - Hand			

EXTERIOR DIMENSIONS

			7FBCU35	30-7FBCU35 (UL"EE")	7FBCU45	30-7FBCU45 (UL"EE")	7FBCU55	30-7FBCU55 (UL"EE")
A Maximum Fork Height (MFH)	in <i>mm</i>	120 3050	120 3050	120 3050	120 3050	120.6 3065	120.6 3065	
B Mast Lowered Height	in <i>mm</i>	81.1 2060	81.1 2060	83 2110	83 2110	84.6 2150	84.6 2150	
C Mast Extended Height	in <i>mm</i>	168.1 4270	168.1 4270	168.1 4270	168.1 4270	174.6 4435	174.6 4435	
D Free Lift	in <i>mm</i>	4.3 110	4.3 110	4.3 110	4.3 110	4.9 125	4.9 125	
E Load Distance*	in <i>mm</i>	18.3 465	18.3 465	19 485	19 485	20.9 530	20.9 530	
F Wheelbase	in <i>mm</i>	61.2 1555	61.2 1555	61.2 1555	61.2 1555	69.7 1770	69.7 1770	
G Fork Size (TxWxL)	in <i>mm</i>	2x6x42 50x150x1070	2x6x42 50x150x1070	2x6x42 50x150x1070	2x6x42 50x150x1070	2.6x6x48 65x150x1220	2.6x6x48 65x150x1220	
H Length to Fork Face	in <i>mm</i>	98.8 2510	98.8 2510	103.5 2630	103.5 2630	113 2870	113 2870	
I Overhead Guard Height	in <i>mm</i>	90 2285	90 2285	90.2 2290	90.2 2290	93.3 2370	93.3 2370	
J Tilt Range (forward/backward)	deg	5/6	5/6	5/6	5/6	5/6	5/6	
K Outside Turning Radius	in <i>mm</i>	84.3 2140	84.3 2140	87.6 2225	87.6 2225	96.1 2440	96.1 2440	
L Basic Right Angle Stacking Aisle Width**	in <i>mm</i>	102.6 2605	102.6 2605	106.7 2710	106.7 2710	116.9 2970	116.9 2970	
M Overall Width	in <i>mm</i>	47.6 1210	47.6 1210	53.1 1350	53.1 1350	53.1 1350	53.1 1350	
N Carriage Width	in <i>mm</i>	46.1 1171	46.1 1171	46.1 1171	46.1 1171	46.1 1171	46.1 1171	
O Tread Width	Front	in <i>mm</i>	38.6 980	38.6 980	41.1 1045	41.1 1045	42.9 1090	42.9 1090
	Rear	in <i>mm</i>	41.3 1050	41.3 1050	42.4 1080	42.4 1080	43.5 1105	43.5 1105

DIMENSIONS OF BATTERY COMPARTMENT

					7FBCU35	30-7FBCU35 (UL"EE")	7FBCU45	30-7FBCU45 (UL"EE")	7FBCU55	30-7FBCU55 (UL"EE")
Width	in <i>mm</i>				45.2 1148	45.2 1148	45.2 1148	45.2 1148	45.2 1148	45.2 1148
Length	in <i>mm</i>				39.2 995	39.2 995	39.2 995	39.2 995	45.7 1160	45.7 1160
Height	without Slides / with Slides	in <i>mm</i>			23.8/23 604/584	23.8/23 604/584	23.8/23 604/584	23.8/23 604/584	23.8/23 604/584	23.8/23 604/584
Power Type				Battery						
Battery	Voltage/Capacity (6-hour ratings)	STD 36V/48V	AH		1360/1105	1360/1105	1360/1105	1360/1105	1700/1360	1700/1360
		High 36V/48V	AH		1760/1430	1760/1430	1760/1430	1760/1430	2200/1760	2200/1760
	Min. weight	lb <i>kg</i>			3400 1542	3400 1542	3600 1632	3600 1632	4230 1918	4230 1918
	Max. weight	lb <i>kg</i>			4645 2107	4645 2107	4645 2107	4645 2107	5480 2486	5480 2486
Electric Motors	Drive (Dual)	36V/48V	SAE HP <i>kW</i>	13x2.5/17.5x2.5 9.7x2/13.2x2	10x2.5/14x2.5 7.8x2 / 10.6x2	13x2.5/17.5x2.5 9.7x2/13.2x2	10x2.5/14x2.5 7.8x2 / 10.6x2	13x2.5/17.5x2.5 9.7x2/13.2x2	10x2.5/14x2.5 7.8x2 / 10.6x2	
	Load Handling (Hyd.)	36V/48V	SAE HP <i>kW</i>	12/17 9.2/12.8	11.4/16.3 8.6/12.3	12/17 9.2/12.8	11.4/16.3 8.6/12.3	12/17 9.2/12.8	11.4/16.3 8.6/12.3	
	Power Steering	36V/48V	SAE HP <i>kW</i>	Consult Factory						
Control Type	Drive			Transistor Inverter						
	Load Handling (Hyd.)			Electromagnetic Contactor						
	Power Steering			Electromagnetic Contactor						

PERFORMANCE DATA

				7FBCU35	30-7FBCU35 (UL"EE")	7FBCU45	30-7FBCU45 (UL"EE")	7FBCU55	30-7FBCU55 (UL"EE")
Maximum Travel Speed (H-Mode)	fwd/rvs - full load	36V	mph <i>km/h</i>	8.4 13.5	8.4 13.5	7.8 12.5	7.8 12.5	7.5 12	7.5 12
	fwd/rvs - full load	48V	mph <i>km/h</i>	10.9 17.5	10.9 17.5	10.9 17.5	10.9 17.5	9.0 14.5	9.0 14.5
	fwd/rvs - no load	36V	mph <i>km/h</i>	9.3 15	9.3 15	9.0 14.5	9.0 14.5	8.1 13	8.1 13
	fwd/rvs - no load	48V	mph <i>km/h</i>	11.2 18	11.2 18	11.2 18	11.2 18	9.3 15	9.3 15
Lift Speed (V Mast only)	full load	36V/48V	fpm <i>mm/sec</i>	51/73 260/370	41/59 210/300	43/57 220/290	35/49 180/250	37/53 190/270	30/41 150/210
	no load	36V/48V	fpm <i>mm/sec</i>	91/118 460/600	75/95 380/480	69/89 350/450	65/81 330/410	65/81 330/410	53/67 270/340
Lowering Speed (V Mast only)	full load		fpm <i>mm/sec</i>	98 500	98 500	98 500	98 500	98 500	98 500
	no load		fpm <i>mm/sec</i>	108 550	108 550	98 500	98 500	108 550	108 550
Maximum Drawbar Pull	full load***		lb <i>kg</i>	3800 1720	3800 1720	3650 1660	3650 1660	4780 2170	4780 2170
	no load***		lb <i>kg</i>	3410 1550	3410 1550	3280 1490	3280 1490	4570 2070	4570 2070
Maximum Gradeability	full load***		%tan (ø)	16	16	13	13	14	14
	no load***		%tan (ø)	22	22	18	18	20	20

UNDERCLEARANCE

Center of Wheelbase	in <i>mm</i>	7FBCU35	30-7FBCU35 (UL"EE")	7FBCU45	30-7FBCU45 (UL"EE")	7FBCU55	30-7FBCU55 (UL"EE")
		4.7 120	4.7 120	4.9 125	4.9 125	5.1 130	5.1 130

TRUCK WEIGHTS

			7FBCU35	30-7FBCU35 (UL"EE")	7FBCU45	30-7FBCU45 (UL"EE")	7FBCU55	30-7FBCU55 (UL"EE")
Gross weight without battery	lb <i>kg</i>		10450 4740	10450 4740	12570 5695	12570 5695	15010 6805	15010 6805
Weight Distribution w/ Std. Battery	front-full load	lb <i>kg</i>	19350 8535	19350 8535	22710 10210	22710 10210	27460 12515	27460 12515
	rear-full load	lb <i>kg</i>	2500 1245	2500 1245	3460 1620	3460 1620	3780 1710	3780 1710
	front-no load	lb <i>kg</i>	5820 2640	5820 2640	5670 2570	5670 2570	7730 3505	7730 3505
	rear-no load	lb <i>kg</i>	8030 3640	8030 3640	10500 4760	10500 4760	11510 5220	11510 5220

ATTACHMENT

Attachment Operating Hydraulic Pressure	psi <i>kg/cm²</i>	7FBCU35	30-7FBCU35 (UL"EE")	7FBCU45	30-7FBCU45 (UL"EE")	7FBCU55	30-7FBCU55 (UL"EE")
		2630 185	2630 185	2630 185	2630 185	2630 185	2630 185

TIRES

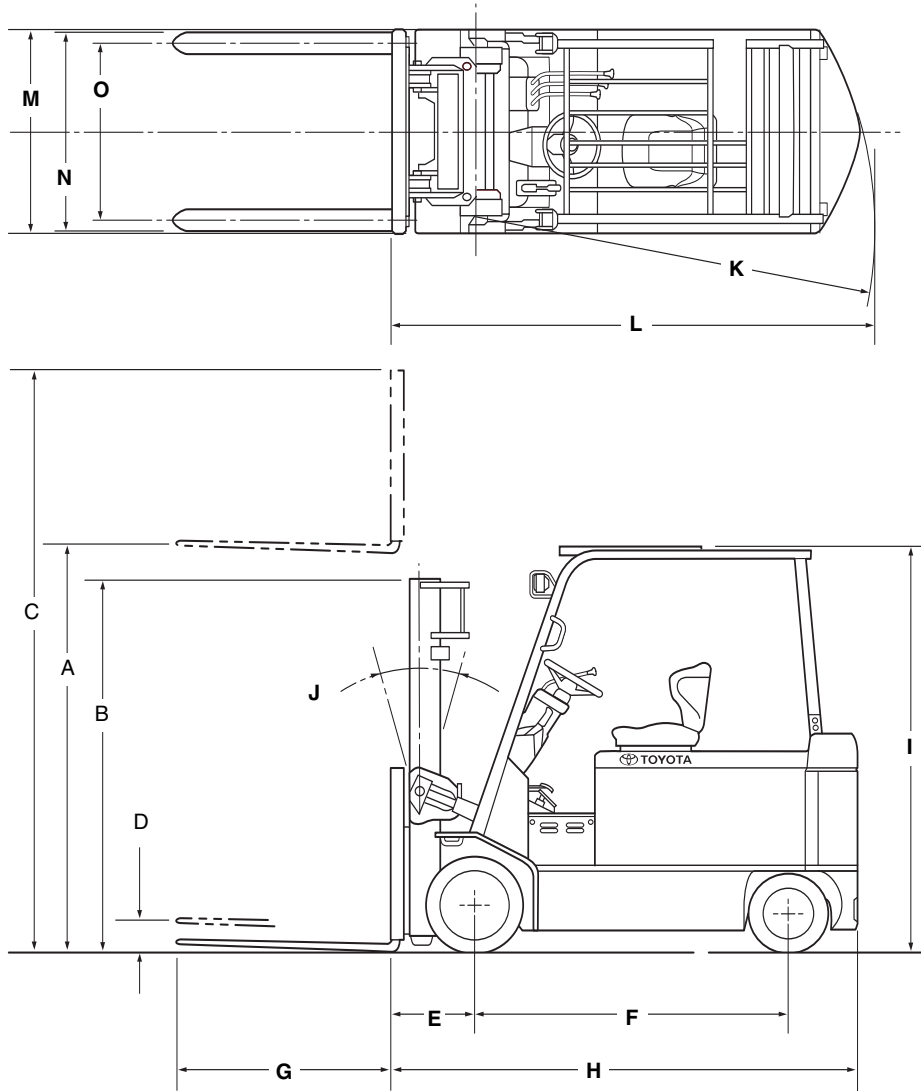
Type (front/rear)		Cushion/Cushion
Size (ODxWxD)	Front	22x9x16
	Rear	18x6x12-1/8

* Centerline of front axle to front face of forks.

** Add load length and aisle clearance.

*** 3-minute rating computed values.

8,000 to 12,000 lbs. 3,628 to 5,443 kg. • Mast Specifications



7FBCU35, 30-7FBCU35

Mast Type	Maximum Fork Height (top of forks)	Overall Height			Free Lift		Tilt Range		Standard Tread	Wide Tread
		Lowered	Extended		Without Load Backrest	With Standard Load Backrest	FWD	BWD	Load Capacity 600 mm/24 in. Load Center	Load Capacity 600 mm/24 in. Load Center
			Without Load Backrest	With Standard Load Backrest						
in mm	in mm	in mm	in mm	in mm	in mm	deg	deg	lb kg	lb kg	
Wide Visible (V)	120 3050	81.1 2060	149.6 3800	168.1 4720	4.3 110	4.3 110	5	6	8000 3628	8000 3628
	132 3350	88.2 2240	161.4 4100	179.9 4570	4.3 110	4.3 110	5	6	8000 3628	8000 3628
	140 3550	92.1 2340	169.3 4300	187.8 4770	4.3 110	4.3 110	5	6	8000 3628	8000 3628
	147.5 3750	96.1 2440	177.2 4500	195.7 4970	4.3 110	4.3 110	5	6	8000 3628	8000 3628
	179 4550	115.8 2940	208.7 5300	227.2 5770	4.3 110	4.3 110	5	6	8000 3628	8000 3628
Full-Free Lift 2-Stage (FV)	120 3050	81.1 2060	150.8 3830	168.1 4270	50.4 1280	33.1 840	5	6	8000 3628	8000 3628
	132 3350	88.2 2240	162.6 4130	179.9 4570	57.5 1460	40.2 1020	5	6	8000 3628	8000 3628
Full-Free Lift 3-Stage (FSV)	159.5 4050	76.4 1940	190.9 4850	207.5 5270	44.9 1140	28.4 720	5	5	8000 3628	8000 3628
	171.5 4350	81.1 2060	202.8 5150	219.3 5570	49.6 1260	33.1 840	5	5	8000 3628	8000 3628
	187 4750	88.2 2240	218.5 5550	235 5970	56.7 1440	40.2 1020	5	5	8000 3628	8000 3628
	199 5050	92.1 2340	230.3 5850	246.9 6270	60.6 1540	44.1 1120	5	5	7730 3506	7730 3506
	218.5 5550	98 2490	250 6350	266.5 6770	66.5 1690	50 1270	5	5	7470 3388	7470 3388
238 6050	105.9 2690	269.7 6850	286.2 7270	74.4 1890	57.9 1470	5	5	-	7000 3175	

Note: Height of standard load backrest is 48 in. 1220 mm

8,000 to 12,000 lbs. 3,628 to 5,443 kg. • Mast Specifications

7FBCU45, 30-7FBCU45

Mast Type	Maximum Fork Height (top of forks)	Overall Height				Free Lift		Tilt Range		Standard Tread
		Lowered	Extended		Without Load Backrest	With Standard Load Backrest	Tilt Range		Load Capacity 600 mm/24 in. Load Center	
			Without Load Backrest	With Standard Load Backrest			FWD	BWD		
		in mm	in mm	in mm	in mm	in mm	in mm	deg	deg	lb kg
Wide Visible (V)	120 3050	83.1 2110	152 3860	168.1 4720	4.3 110	4.3 110	5	6	10000 4535	
	132 3350	92.1 2340	163.8 4160	179.9 4570	4.3 110	4.3 110	5	6	10000 4535	
	140 3550	96.1 2440	171.7 4360	187.8 4770	4.3 110	4.3 110	5	6	10000 4535	
	147.5 3750	100 2540	179.5 4560	195.7 4970	4.3 110	4.3 110	5	6	10000 4535	
	179 4550	115.8 2940	211 5360	227.2 5770	4.3 110	4.3 110	5	6	10000 4535	
Full-Free Lift 2-Stage (FV)	120 3050	83.1 2110	152.2 3865	168.1 4270	51 1295	35 890	5	6	10000 4535	
	132 3350	92.1 2340	164 4165	179.9 4570	60 1525	44.1 1120	5	6	10000 4535	
Full-Free Lift 3-Stage (FSV)	159.5 4050	81.1 2060	191.5 4865	207.5 5270	49 1245	33.1 840	5	5	10000 4535	
	171.5 4350	85.6 2175	203.4 5165	219.3 5570	53.5 1360	37.6 955	5	5	10000 4535	
	187 4750	92.1 2340	219.1 5565	235 5970	60 1525	44.1 1120	5	5	10000 4535	
	199 5050	98 2490	230.9 5865	246.9 6270	65.9 1675	50 1270	5	5	10000 4535	
	218.5 5550	105.9 2690	250.6 6365	266.5 6770	73.8 1875	57.9 1470	5	5	9650 4377	
	238 6050	115.8 2940	270.3 6855	286.2 7270	83.7 2125	67.7 1720	5	5	9000 4082	

Note: Height of standard load backrest is 48 in. 1220 mm

7FBCU55, 30-7FBCU55

Mast Type	Maximum Fork Height (top of forks)	Overall Height				Free Lift		Tilt Range		Standard Tread
		Lowered	Extended		Without Load Backrest	With Standard Load Backrest	Tilt Range		Load Capacity 600 mm/24 in. Load Center	
			Without Load Backrest	With Standard Load Backrest			FWD	BWD		
		in mm	in mm	in mm	in mm	in mm	in mm	deg	deg	lb kg
Wide Visible (V)	120.5 3065	84.7 2150	150.6 3825	174.6 4435	4.9 125	4.9 125	5	6	12000 5443	
	132.5 3365	90.6 2300	162.4 4125	186.4 4735	4.9 125	4.9 125	5	6	12000 5443	
	140.5 3565	94.5 2400	170.3 4325	194.3 4935	4.9 125	4.9 125	5	6	12000 5443	
	148 3765	100.4 2550	178.2 4525	202.2 5135	4.9 125	4.9 125	5	6	12000 5443	
	179.5 4565	118.1 3000	209.7 5325	233.7 5935	4.9 125	4.9 125	5	6	12000 5443	
Full-Free Lift 3-Stage (FSV)	160 4065	81.5 2070	187.8 4770	214 5435	53.7 1365	27.6 700	5	6	12000 5443	
	172 4365	84.7 2150	199.6 5070	225.8 5735	56.9 1445	30.7 780	5	6	12000 5443	
	187.5 4765	90.6 2300	215.4 5470	241.5 6135	62.8 1595	36.6 930	5	6	12000 5443	
	199.5 5065	94.5 2400	227.2 5770	253.4 6435	66.7 1695	40.6 1030	5	6	11800 5352	
	219 5565	100.4 2550	246.9 6270	273 6935	72.6 1845	46.5 1180	5	6	10900 4944	
	239 6065	108.3 2750	266.5 6770	292.7 7435	80.5 2045	54.3 1380	5	6	10000 4535	

Note: Height of standard load backrest is 48 in. 1220 mm