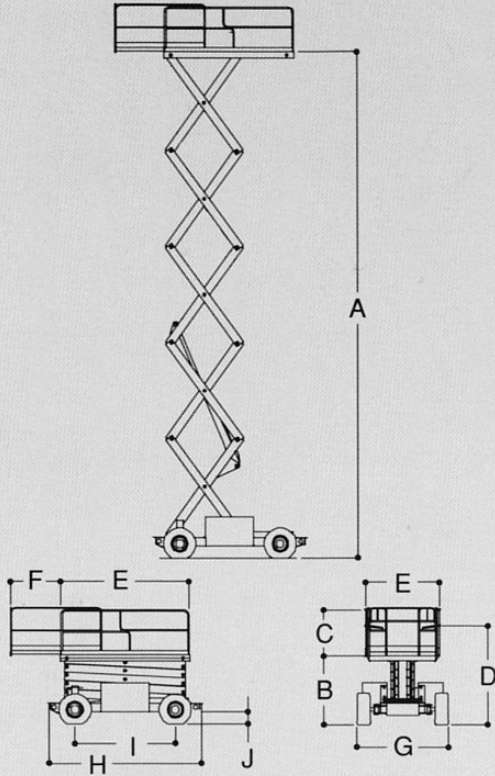


# 40RTS



## DIMENSIONAL DATA

A. Platform Height Elevated.....	39 ft. 6 in. (12.1 m)
B. Platform Height Lowered.....	5 ft. 8 in. (1.73 m)
C. Railing Height*.....	43.5 in. (1.10 m)
D. Overall Height (rails lowered)*.....	8 ft. 2 in. (2.49 m)
E. Platform Dimensions.....	71 in. x 126 in. (1.80 x 3.20 m)
F. Deck Extension.....	4 ft. (1.23 m)
G. Overall Width.....	7 ft. 6 in. (2.29 m)
Overall Width w/Optional Tires.....	7 ft. 7 in. (2.31 m)
H. Overall Length.....	12 ft. 5 in. (3.78 m)
I. Wheelbase.....	98 in. (2.50 m)
J. Ground Clearance.....	12 in. (0.30 m)
Capacity.....	1,000 lbs. (454 kg)
Capacity with Optional Deck Extension.....	750 lbs. (340 kg)
Capacity on Optional Deck Extension.....	500 lbs. (227 kg)
Lift/Lower Speed.....	65/35 sec.
Maximum Drive Height.....	full height
4 Ft. Front Deck Extension.....	optional manual
Platform Material.....	steel tread plate

\*Additional 3 in. (0.08 m) height with optional deck extension

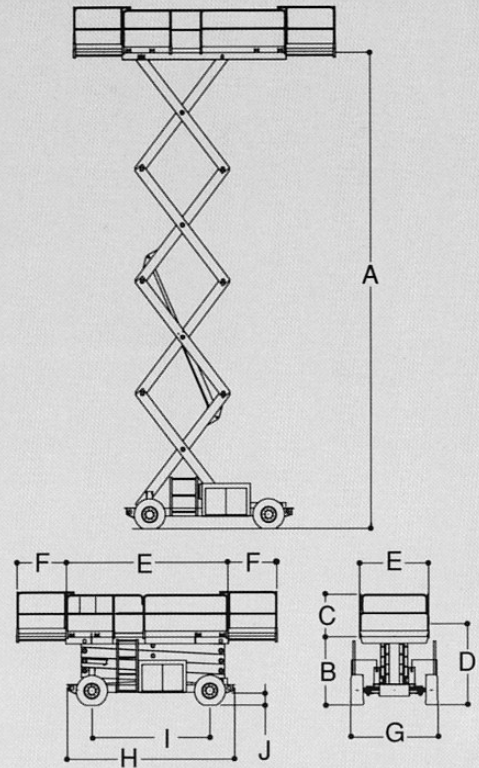
## CHASSIS

Drive Speed – 2 Wheel Drive.....	3.5 mph (5.6 kph)
Drive Speed – 4 Wheel Drive (optional).....	2.8 mph (4.5 kph)
Gradeability – 2 Wheel Drive.....	35%
Gradeability – 4 Wheel Drive (optional).....	45%
Turning Radius (inside) – 2 Wheel Steer.....	16 ft. 10 in. (5.13 m)
Turning Radius (inside) – 4 Wheel Steer.....	5 ft. 6 in. (1.68 m)
Turning Radius (outside) – 2 Wheel Steer.....	24 ft. 4 in. (7.42 m)
Turning Radius (outside) – 4 Wheel Steer.....	11 ft. 3 in. (3.43 m)
Axle Oscillation (optional).....	8 in. (0.20 m)
Tire Size.....	12 x 16.5
Tire Type.....	air
Brakes.....	spring applied multi-disc

## POWER SYSTEM

Dual Fuel Engine.....	Ford VSG 411 35 hp (26 kW)
Diesel Engine (optional).....	Deutz F2L-1011 28 hp (21 kW)
Fuel Tank Capacity.....	15 gal. (56.8 m)
Hydraulic Reservoir.....	20 gal. (75.7 L)
Gross Vehicle Weight.....	10,400 lbs. (4,717 kg)

# 400RTS



## DIMENSIONAL DATA

A. Platform Height Elevated.....	40 ft. (12.19 m)
B. Platform Height Lowered.....	5 ft. 10 in. (1.78 m)
C. Railing Height*.....	43.5 in. (1.10 m)
D. Overall Height (rails folded down)*.....	7 ft. 2.5 in. (2.20 m)
E. Platform Dimensions.....	71 in. x 168 in. (1.80 x 4.27 m)
F. Deck Extension.....	4 ft. (1.23 m)
G. Overall Width.....	7 ft. 6 in. (2.29 m)
Overall Width w/Optional Tires.....	7 ft. 7 in. (2.31 m)
H. Overall Length.....	14 ft. 5 in. (4.39 m)
I. Wheelbase.....	122 in. (3.10 m)
J. Ground Clearance.....	12 in. (0.30 m)
Capacity.....	2,000 lbs. (907 kg)
Capacity with Optional Deck Extension.....	1,500 lbs. (680 kg)
Capacity on each Optional Deck Extension.....	500 lbs. (227 kg)
Lift/Lower Speed.....	60/60 sec.
Maximum Drive Height**.....	full height
4 Ft. Front Deck Extension.....	optional hydraulic
4 Ft. Rear Deck Extension.....	optional hydraulic
Platform Material.....	steel tread plate

\*Additional 3 in. (0.08 m) height with optional deck extension

\*\* 32 ft. with optional pneumatic tires

## CHASSIS

Drive Speed – 2 Wheel Drive.....	3.5 mph (5.6 kph)
Drive Speed – 4 Wheel Drive (optional).....	2.8 mph (4.5 kph)
Gradeability – 2 Wheel Drive.....	35%
Gradeability – 4 Wheel Drive (optional).....	45%
Turning Radius (inside) – 2 Wheel Steer.....	20 ft. 2 in. (6.15 m)
Turning Radius (inside) – 4 Wheel Steer.....	6 ft. 6 in. (1.98 m)
Turning Radius (outside) – 2 Wheel Steer.....	27 ft. 8 in. (8.43 m)
Turning Radius (outside) – 4 Wheel Steer.....	12 ft. 1 in. (3.68 m)
Axle Oscillation (optional).....	8 in. (0.20 m)
Tire Size.....	12 x 16.5
Tire Type.....	foam
Brakes.....	spring applied multi-disc

## POWER SYSTEM

Dual Fuel Engine.....	Ford LSG 425 70 hp (52 kW)
Diesel Engine (optional).....	Deutz F2L-1011 42 hp (36 kW)
Fuel Tank Capacity.....	15 gal. (56.8 m)
Hydraulic Reservoir.....	20 gal. (75.7 L)
Gross Vehicle Weight.....	15,000 lbs. (6,806 kg)