

## 120 AETJ C Compact 120 AETJ C 3D Compact



<b>Working height</b> .....	11.95 m
<b>Platform height</b> .....	9.95 m
<b>Horizontal outreach</b> .....	7.00 m
<b>Up and over height</b> .....	4.77 m
<b>Jib movement</b> .....	+70° / -70°
<b>Option 3D</b> .....	+70° / -70°
<b>Basket rotation</b> .....	140°
<b>Turret rotation</b> .....	350°



<b>Platform capacity</b> .....	200 kg/2 peoples
<b>External use</b> .....	45 km/h (Maximum allowed wind speed)
<b>Basket size</b> .....	1.20 x 0.96 m



<b>Width</b> .....	1.20 m
<b>Length</b> .....	5.48 m
<b>Stowed length (storage)</b> .....	3.74 m
<b>Height</b> .....	1.99 m
<b>Stowed height (storage)</b> .....	2.16 m



<b>Turning radius inside</b> .....	1.55 m
<b>Turning radius outside</b> .....	3.25 m
<b>Turning radius outside (basket)</b> .....	3.34 m
<b>Ground clearance</b> .....	0.10 m
<b>Wheel base</b> .....	1.65 m
<b>Drive speed</b> .....	6.0 km/h
<b>Working speed</b> .....	0.6 km/h



<b>Gradeability</b> .....	25%
<b>Maximum slope accepted</b> .....	5% or 3°



<b>Weight</b> .....	6 550 kg
---------------------	----------



<b>Tires</b> .....	0.60 x 0.19 m
<b>Wheel steer</b> .....	2 (front)
<b>Wheel drive</b> .....	2 (back)



<b>Batteries</b> .....	300 Ah / 2x24 V
<b>Battery charger</b> .....	45 Ah/48 V

### Standard equipment

- Electrical battery traction
- Negative brakes
- Lifting brackets
- Hour meter
- Warning buzzer in the basket
- 220 V predisposal
- Voltage indicator
- Safety manual pump
- Basket with mesh floor
- Bus CAN technology
- Diagnostic help integrated
- Dual electrical motors
- Rubber and no marking tires
- Anti-roll system
- Integrated charger

### Options

#### - Jib rotation (3D)

- High capacity battery (360 Ah)
- Dual voltage charger 110 V / 230 V
- Working lights
- Electric plug in the platform with circuit breaker (230 V)
- Flashing light
- Drive alarm
- All motion alarm
- Cold conditions -25°C
- Air predisposal
- Water predisposal
- Specific painting
- Biodegradable oil

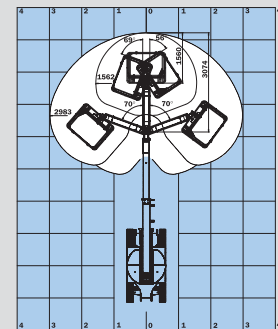
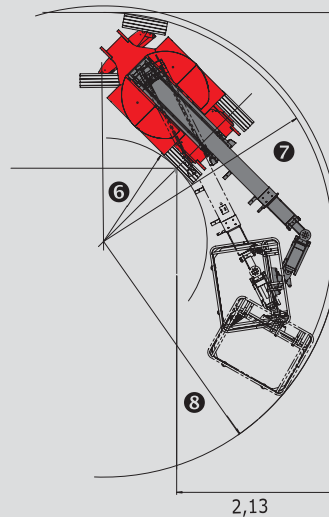
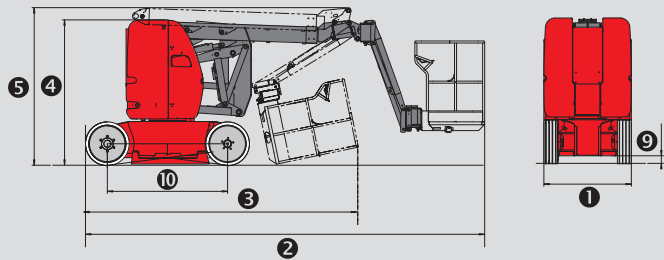
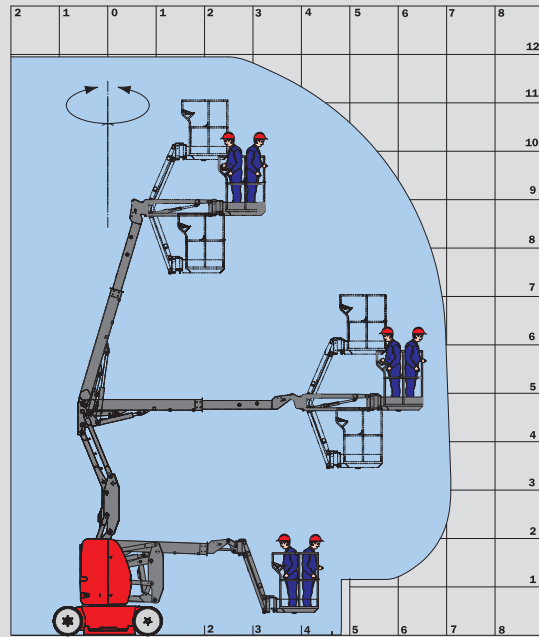
The equipment supplied with each model may differ from that described in this leaflet.  
For more details, contact your MANITOU dealer.



### MANITOU BF SA

B.P. 249 - 44158 Ancenis Cedex - France  
Tél. : 33 2 40 09 10 11 / Export Department Fax : 33 2 40 09 10 97  
www.manitou.com

700364EN



Option 3D : Jib rotation

