

# ES SERIES

ELECTRIC SCISSOR LIFTS



## Performance

|                                |                |                         |
|--------------------------------|----------------|-------------------------|
| Platform Height–Elevated       |                |                         |
| 1930ES                         | 18 ft 9 in.    | 5.72 m                  |
| 2032ES                         | 20 ft          | 6.10 m                  |
| 2632ES                         | 25 ft 6 in.    | 7.77 m                  |
| 2646ES                         | 26 ft          | 7.92 m                  |
| 3246ES                         | 31 ft 9 in.    | 9.68 m                  |
| Platform Capacity              |                |                         |
| 1930ES                         | 500 lb         | 227 kg                  |
| 2032ES                         | 800 lb         | 363 kg                  |
| 2632ES                         | 500/800 lb     | 227/363 kg              |
| 2646ES                         | 1,000 lb       | 454 kg                  |
| 3246ES                         | 700/1,000 lb   | 318/454 kg              |
| Capacity on Platform Extension |                |                         |
|                                | 250 lb         | 113 kg                  |
| Lift/Lower Time                |                |                         |
| 1930ES                         | 26/30 seconds  |                         |
| 2032ES                         | 28/40 seconds  |                         |
| 2632ES                         | 33/37 seconds  |                         |
| 2646ES                         | 41/50 seconds  |                         |
| 3246ES                         | 55/62 seconds  |                         |
| Maximum Drive Height           |                |                         |
|                                | Fully Elevated |                         |
| Weight*                        |                |                         |
| 1930ES                         | 2,685 lb       | 1,218 kg                |
| 2032ES                         | 3,610 lb       | 1,638 kg                |
| 2632ES                         | 4,635 lb       | 2,103 kg                |
| 2646ES/ 3246ES                 | 4,945 lb       | 2,243 kg                |
| Ground Bearing Pressure        |                |                         |
| 1930ES                         | 109 psi        | 7.66 kg/cm <sup>2</sup> |
| 2032ES                         | 81 psi         | 5.69 kg/cm <sup>2</sup> |
| 2632ES                         | 90 psi         | 6.32 kg/cm <sup>2</sup> |
| 2646ES/ 3246ES                 | 87 psi         | 6.11 kg/cm <sup>2</sup> |
| Drive Speed–Elevated           |                |                         |
|                                | 0.5 mph        | 0.8 km/h                |
| Drive Speed–Lowered            |                |                         |
| 1930ES                         | 3.0 mph        | 4.82 km/h               |
| 2032ES/ 2632ES                 | 2.75 mph       | 4.43 km/h               |
| 2646ES/ 3246ES                 | 2.50 mph       | 4.00 km/h               |
| Gradeability                   |                |                         |
|                                | 25%            |                         |
| Turning Radius (Inside)        |                |                         |
|                                | Zero           |                         |
| Turning Radius (Outside)       |                |                         |
| 1930ES                         | 69 in.         | 1.75 m                  |
| 2032ES/ 2632ES                 | 81 in.         | 2.06 m                  |
| 2646ES/ 3246ES                 | 95 in.         | 2.41 m                  |

\* Certain options or country standards will increase weight.

## Standard Specifications

### Power Source

|           |                  |     |
|-----------|------------------|-----|
| Batteries | 4x6V, 220 amp-hr |     |
| Charger   | 20 Amp Automatic |     |
| Drive     | 24V Electric     | 8hp |

### Hydraulic Reservoir

|                      |                         |        |
|----------------------|-------------------------|--------|
| • Capacity           |                         |        |
| 1930ES/2032ES/2632ES | 1.25 gal.               | 4.73 L |
| 2646ES/3246ES        | 1.7 gal.                | 6.4 L  |
| • Pump               |                         |        |
|                      | Fixed Displacement Gear |        |



### Tires

|                             |                                |
|-----------------------------|--------------------------------|
| • Tire Size/Type            |                                |
| 1930ES                      | 12.5 x 4 in. Non-Marking Solid |
| 2032ES/2632ES/2646ES/3246ES | 16 x 5 in. Non-Marking Solid   |

### Brakes

- Electric/Friction

## Standard Features

- Proportional Controls
- Industry Leading Duty Cycles
- Drywall Gate<sup>1</sup>
- Battery Condition Indicator
- Fold-Down Guard Rails<sup>2</sup>
- 110V-AC Receptacle in Platform
- Slide-Out Battery Trays
- Automatic Traction Control (ATC)
- All Motion Alarm
- 20 Amp Automatic SCR Charger
- Horn
- Hourmeter
- Manual Descent Pull Cable
- Tilt Alarm and Light
- Lanyard Attach Points
- Moveable, Removable Platform Control
- Powder-Coated
- Console with Rail Mounting Bracket
- Nickel Plated Pins
- Lubrication Free Scissor Arm Bushings
- Scissor Maintenance Prop
- Mechanized Pothole Protection
- Machine Tie Downs
- Fork Lift Pockets, Lift from Side and Rear
- 36 in. (91 cm) Roll-Out Deck Extension<sup>3</sup>
- 50 in. (1.27 m) Roll-Out Deck Extension<sup>4</sup>
- Four 6V, 220 Amp-Hour Deep Cycle Batteries

1. Not included on 1930ES. 2. Optional on 1930ES. 3. 1930ES, 2032ES and 2632ES. 4. 2646ES and 3246ES.

## Accessories & Options

- Spring-Loaded Gate
- Flashing Amber Beacon
- 245 Amp-Hour Batteries<sup>5</sup>
- 1,000W-AC Inverter
- Lifting Lugs
- UL® EE Rating<sup>6</sup>
- Platform Padding
- Platform Padding with Proximity Switches
- 1/2 in. Airline
- Quik Welder Prep Package<sup>7</sup>
- Nite Bright<sup>8</sup>
- 220 Amp-Hour AGM Batteries<sup>9</sup>
- Special Hydraulic Oils
- Accessory Packages:
  - Electrician's Package
  - Plumber's Package
  - JLG® Workstation
  - Panel Carrier Accessory<sup>5</sup>
  - Pipe Rack Accessory<sup>5</sup>
  - Quick Welder® Package
  - Plant Maintenance Package

5. Not available on the 1930ES. 6. Not available with AGM Batteries. 7. Includes power cable for welder and fire extinguisher. 8. Includes two platform mounted worklights. 9. Not available on EE rated units.

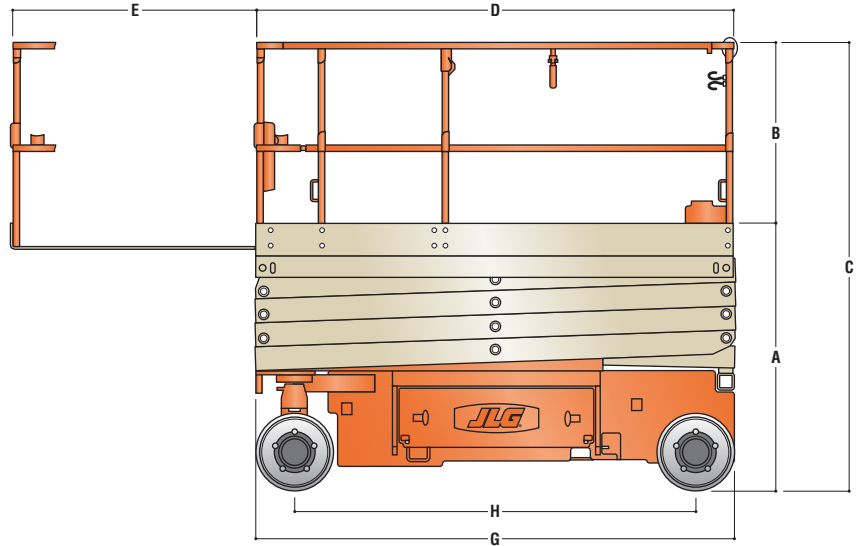
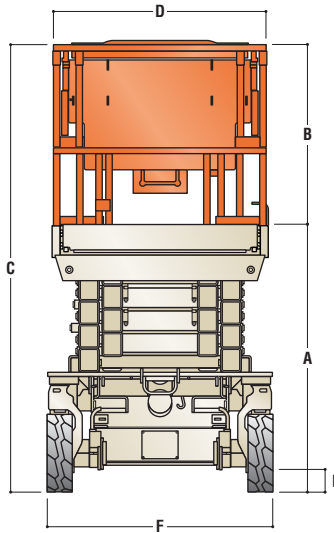
# ES SERIES

ELECTRIC SCISSOR LIFTS



## Dimensions

All dimensions are approximate.



### A. Platform Height—Lowered

|        |          |        |
|--------|----------|--------|
| 1930ES | 34 in.   | 0.86 m |
| 2032ES | 43.5 in. | 1.10 m |
| 2632ES | 48.5 in. | 1.23 m |
| 2646ES | 49.5 in. | 1.26 m |
| 3246ES | 49.5 in. | 1.26 m |

### B. Platform Railing Height

|           |          |        |
|-----------|----------|--------|
| ES Series | 43.3 in. | 1.10 m |
|-----------|----------|--------|

### C. Overall Height—Rails Lowered

|               |               |        |
|---------------|---------------|--------|
| 1930ES        | N/A           |        |
| 2032ES        | 5 ft 11.5 in. | 1.80 m |
| 2632ES        | 6 ft 4.5 in.  | 1.94 m |
| 2646ES/3246ES | 6 ft 5.5 in.  | 1.97 m |

### D. Platform Size

|               |               |               |
|---------------|---------------|---------------|
| 1930ES        | 30 x 73.5 in. | 0.76 x 1.87 m |
| 2032ES/2632ES | 30 x 90.5 in. | 0.76 x 2.3 m  |
| 2646ES/3246ES | 44 x 98.5 in. | 1.12 x 2.5 m  |

### E. Platform Extension

|                      |          |        |
|----------------------|----------|--------|
| 1930ES/2032ES/2632ES | 35.5 in. | 0.9 m  |
| 2646ES/3246ES        | 50 in.   | 1.27 m |

### F. Overall Width

|               |        |        |
|---------------|--------|--------|
| 1930ES        | 30 in. | 76 cm  |
| 2032ES/2632ES | 32 in. | 81 cm  |
| 2646ES/3246ES | 46 in. | 1.17 m |

### G. Overall Length

|               |              |        |
|---------------|--------------|--------|
| 1930ES        | 6 ft 1.5 in. | 1.87 m |
| 2032ES/2632ES | 7 ft 6.5 in. | 2.3 m  |
| 2646ES/3246ES | 8 ft 2.5 in. | 2.5 m  |

### H. Wheelbase

|               |             |        |
|---------------|-------------|--------|
| 1930ES        | 5 ft 3 in.  | 1.6 m  |
| 2032ES/2632ES | 6 ft 2 in.  | 1.88 m |
| 2646ES/3246ES | 6 ft 10 in. | 2.09 m |

### I. Ground Clearance

|                      |         |         |
|----------------------|---------|---------|
| 1930ES/2032ES/2632ES | 3.5 in. | 8.8 cm  |
| 2646ES/3246ES        | 5 in.   | 12.7 cm |



## The JLG "1 & 5" Warranty

JLG Industries, Inc. backs its products with its exclusive "1 & 5" Warranty. We provide coverage on all products for one (1) full year, and cover all specified major structural components for five (5) years. Due to continuous product improvements, we reserve the right to make specification and/or equipment changes without prior notification. This machine meets or exceeds applicable OSHA Regulations in 29 CFR 1910.67, 29 CFR 1926.453, ANSI A92.5-2006, and CSA Standard CAN3-B354.2-M82, as originally manufactured for intended applications.

Part No.: 3131580  
R031407  
Printed in USA

JLG Industries, Inc.  
1 JLG Drive  
McConnellsburg, PA 17233-9533  
Telephone 717-485-5161  
Toll-free in US 877-JLG-LIFT  
Fax 717-485-6417  
[www.jlg.com](http://www.jlg.com)

An Oshkosh Corporation Company