

Model RT SERIES

ROUGH TERRAIN SCISSOR LIFTS



Performance

Platform Height—Elevated		
3394RT	33 ft	10.06 m
4394RT	43 ft	13.11 m
Platform Capacity		
3394RT	2,250 lb	1,020 kg
4394RT	1,500 lb	680 kg
Capacity on Platform Extension		
	500 lb	227 kg
Capacity with Dual Extensions		
3394RT	2,000 lb	907 kg
4394RT	1,250 lb	567 kg
Lift/Lower Time		
3394RT	30/30 seconds	
4394RT	40/43 seconds	
Maximum Drive Height		
	Full Height	
Weight w/One Extension*		
3394RT	11,910 lb	5,402 kg
4394RT	15,300 lb	6,940 kg
Ground Bearing Pressure		
3394RT	73 psi	5.1 kg/cm ²
4394RT	83 psi	5.8 kg/cm ²
Drive Speed		
3394RT	4.0 mph	6.4 km/h
4394RT	4.0 mph	6.4 km/h
Gradeability		
	45%	
Turning Radius (Inside)		
	8 ft 10.5 in.	2.71 m
Turning Radius (Outside)		
	19 ft 5.5 in.	5.93 m

* Certain options or country standards will increase weight.

Standard Specifications

Engine

Make and Model		
Dual Fuel (Water-Cooled)		
GM Vortec 3000 MPFI	82 hp	61 kW
Diesel Fuel (Air-Cooled)		
Deutz D2011L03	49 hp	36.4 kW
Fuel Tank Capacity	30 gal.	113.56 L

Tires

• Standard	33 x 15.5 Superwide
• Optional	12 x 16.5 Non-Marking IN 315/55 D20 Low-Profile

Brakes

• 4 Wheel	Spring Applied
-----------	----------------

Hydraulic Reservoir

• Capacity	32 gal.	121.42 L
------------	---------	----------



Standard Features

- 4-Wheel Drive
- Automatic Transmission
- Three-Speed Drive Select
- Proportional Drive/Lift Up/Lift Down
- Oscillating Axle
- 86 x 150 in. (2.18 x 3.81 m) Platform
- 4 ft (1.22 m) Manual Deck Extension
- Aluminum Deck with Grip Strips
- 110V-AC Receptacle in Platform
- Adjustable, Removable Platform Control Station
- On-Board Diagnostics at Platform and Ground Control
- Fuel Gauge in Platform
- Fold-Down Handrails
- Horn
- Tilt Light and Alarm
- Manual Descent
- All Motion Alarm

Accessories & Options

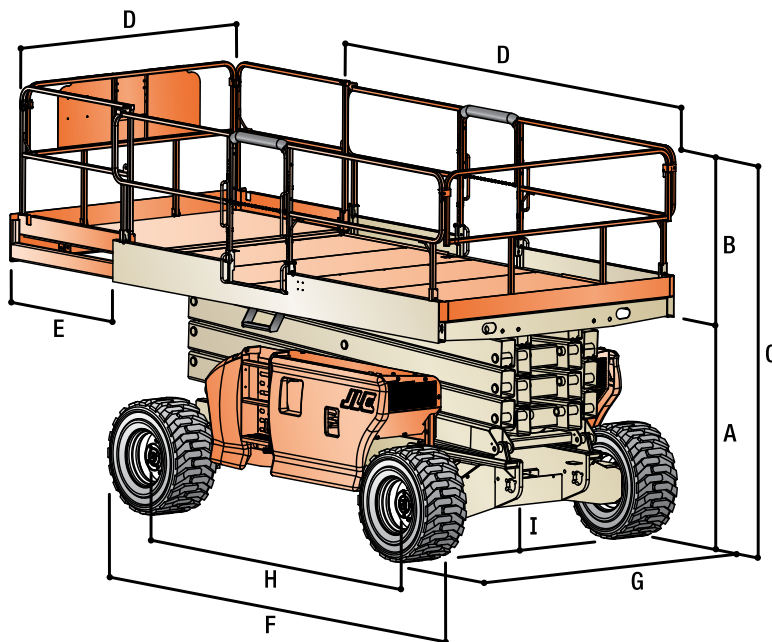
- Leveling Jacks
- Additional Extension Deck
- Single Powered Deck Extension
- Dual Powered Deck Extension
- 3500 Watt Generator
- Platform Worklights
- 1/2 in. Airline to Platform
- Self-Closing Entry Gates
- Flashing Amber Beacon
- 43.5 lb (19.7 kg) Propane Tank
- Cold Weather Start Kit
- Accessory Packages:
 - SkyPositioner® Package
 - Nite Bright® Package
 - Pipe Rack Accessory

Model RS SERIES

ROUGH TERRAIN SCISSOR LIFTS

Dimensions

All dimensions are approximate.



Platform Height—Elevated			E. Platform Extension	4 ft	1.22 m
3394RT	33 ft	10.06 m	F. Overall Length	12 ft 8 in.	3.86 m
4394RT	43 ft	13.11 m	G. Overall Width	7 ft 10 in.	2.39 m
A. Platform Height—Lowered			H. Wheelbase		
3394RT	5 ft 1.75 in.	1.57 m	3394RT	9 ft 8 in.	2.95 m
4394RT	5 ft 10.4 in.	1.79 m	4394RT	9 ft 8 in.	2.95 m
B. Platform Railing Height	3 ft 7.5 in.	1.1 m	I. Ground Clearance	12 in.	30 cm
C. Overall Height—Rails Lowered					
3394RT	6 ft 5.75 in.	1.97 m			
4394RT	7 ft 2.4 in.	2.19 m			
D. Platform Size	86 x 150 in.	2.18 x 3.81 m			



The JLG "1 & 5" Warranty

JLG Industries, Inc. backs its products with its exclusive "1 & 5" Warranty. We provide coverage on all products for one (1) full year, and cover all specified major structural components for five (5) years. Due to continuous product improvements, we reserve the right to make specification and/or equipment changes without prior notification. This machine meets or exceeds applicable OSHA Regulations, ANSI A92.6-2006, and CSA Standard CAN/CSA-B354.2-01, as originally manufactured for intended applications.

Form No.: SS-RT-909
Part No.: 3131581
R061302
Printed in USA

JLG Industries, Inc.
1 JLG Drive
McConnellsburg, PA 17233-9533
Telephone 717-485-5161
Toll-free in US 877-JLG-LIFT
Fax 717-485-6417
www.jlg.com

An Oshkosh Corporation Company