

Features

EASILY CONFIGURED TO MEET YOUR NEEDS

FORK OPTIONS

- Load platform
- Fork extensions

POWER OPTIONS

- One-speed winch
- Two-speed winch*

BASE

- Standard base

CASTER

- Standard casters

OPTIONS & ACCESSORIES

PRODUCTIVITY

- Load platform
- Fork extensions

POWER

- Two-speed winch*

*Available after market only

STANDARD FEATURES

MEASUREMENTS

ST™-20

- 6.46 m (21 ft 2.5 in) maximum working height
- Up to 363 kg (800 lb) load capacity

ST™-25

- 7.94 m (26 ft .5 in) maximum working height
- Up to 295 kg (650 lb) load capacity

PRODUCTIVITY

- Use as a single unit, or two or more can be used together to support trusses
- Flat black anodized finish is nearly invisible to audience
- Portable and compact design
- Lightweight, durable aluminum construction
- Single-door access
- Easy set-up with no tools required
- Durable steel forks
- Hand winch locks in place when handle is released
- Easy to transport—no bulky base
- Hold-down mechanism secures carriage during transport

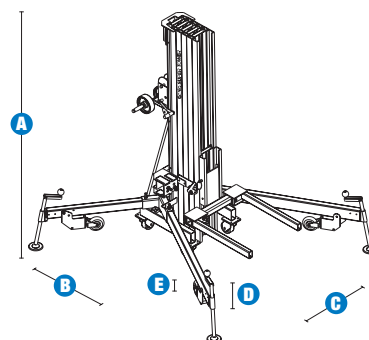
POWER

- One-speed winch
- Reversible winch handle for easy storage



Specifications

| MODELS | ST™-20 | | ST™-25 | |
|---------------------------------------|------------------|--------------------|------------------|--------------------|
| MEASUREMENTS | Metric | US | Metric | US |
| A Height - stowed | 2.2 m | 6 ft 6.75 in | 2.2 m | 6 ft 6.75 in |
| B Length - stowed | 64 cm | 2 ft 1.25 in | 64 cm | 2 ft 1.25 in |
| C Width - stowed | 56 cm | 1 ft 10 in | 56 cm | 1 ft 10 in |
| D Load height minimum | 15 cm | 6 in | 15 cm | 6 in |
| E Ground clearance - centre | 5 cm | 2 in | 5 cm | 2 in |
| Working height - forks up | 6.46 m | 21 ft 2.5 in | 7.94 m | 26 ft .5 in |
| - forks down | 5.94 m | 19 ft 6 in | 7.42 m | 24 ft 4 in |
| PRODUCTIVITY | | | | |
| Load capacity - at 46 cm load centre | 363 kg | 800 lbs | 295 kg | 650 lbs |
| Length - adjustable forks | 70 cm | 27.5 in | 70 cm | 27.5 in |
| Width - adjustable forks | 29-76 cm | 11.5-30 in | 29-76 cm | 11.5-30 in |
| Fork extensions detached each (l/w/d) | 76/5/8 cm; 2 kg | 30/2/3 in; 4.5 lbs | 76/5/8 cm; 2 kg | 30/2/3 in; 4.5 lbs |
| Fork extensions attached each (l/w/d) | 64/5/8 cm; 2 kg | 25/2/3 in; 4.5 lbs | 64/5/8 cm; 2 kg | 25/2/3 in; 4.5 lbs |
| Weight - adjustable forks | 24 kg | 52.5 lbs | 24 kg | 52.5 lbs |
| Outrigger footprint | 1.87 x 2.02 m | 73.5 x 79.5 in | 1.87 x 2.02 m | 73.5 x 79.5 in |
| Casters | standard casters | | standard casters | |
| POWER | | | | |
| One-speed winch - average cranks | 28 cranks/m | 8.5 cranks/ft | 28 cranks/m | 8.5 cranks/ft |
| SOUND LEVEL | | | | |
| Sound pressure level | 85 dBA | 85 dBA | 85 dBA | 85 dBA |
| WEIGHT* | | | | |
| | 230 kg | 507 lbs | 252 kg | 555 lbs |



* Weight will vary depending on options and/or country standards.

United States

Corporate Headquarters

18340 NE 76th Street
P.O. Box 97030
Redmond, WA
USA 98073-9730
Tel: +1 425 881-1800
Fax: +1 425 883-3475

Enquiries from Europe:

Tel: +31 165 519 361
Fax: +31 165 511 148
Email: AWP-InfoEurope@terex.com

Ihr Vertriebspartner:

Effective date: August, 2011. Product specifications and prices are subject to change without notice or obligation. The photographs and/or drawings in this document are for illustrative purposes only. Refer to the appropriate Operator's Manual for instructions on the proper use of this equipment. Failure to follow the appropriate Operator's Manual when using our equipment or to otherwise act irresponsibly may result in serious injury or death. The only warranty applicable to our equipment is the standard written warranty applicable to the particular product and sale and we make no other warranty, expressed or implied. Products and services listed may be trademarks, service marks or trade-names of Terex Corporation and/or their subsidiaries in the U.S.A. and many other countries. Genie is a Registered Trademark of Terex South Dakota, Inc. © 2011 Terex Corporation.